

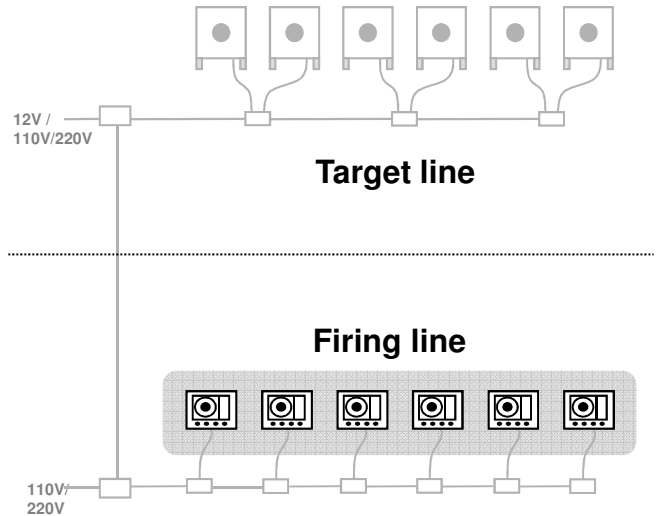
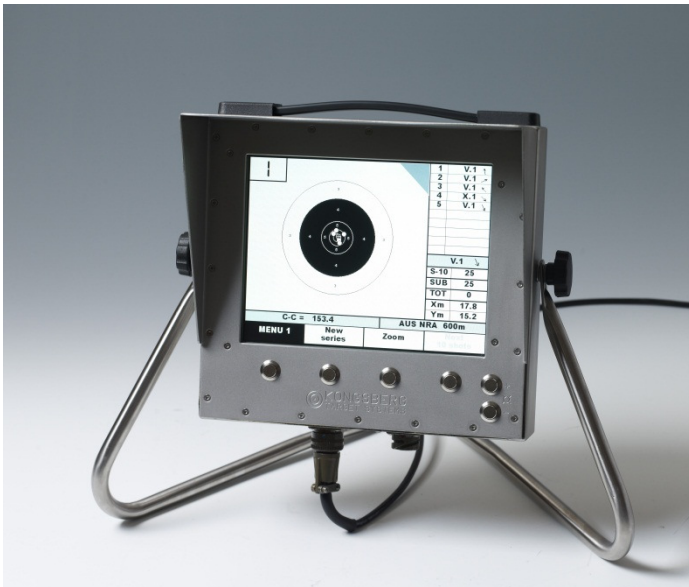
# Monitor – NMM-2

**Weatherproof monitor, built on LCD technology and LED backlight.**

**Designed for all-year / all-weather outdoor use.**

**No need for overroofed firing points.**

- The monitor is based on a chassis made of stainless steel. Weatherproof.
- The display is readable in bright sunlight, and is protected by a laminated, anti-reflective coated glass, able to withstand the impact of cartridges from automatic weapons.
- Solid mil. spec. Contacts and vandal proof buttons.
- A smart card reader for access control is standard.
- The stand, made from stainless steel, makes the monitor easily moveable, and simple to adjust to the optimum viewing position.
- The monitor is easy to operate, with dynamic menus.



## For use with :

- All systems/targets produced by Kongsberg Target Systems AS

## Technical :

### Dimensions:

LCD ..	10.4"
Width including tightening wheels.....	385 mm
Height without stand.....	285 mm
Max depth .....	148 mm
Min depth .....	66 mm
Max height, unit in stand.....	440 mm

**Weight with stand..... 5.5 Kg**

**Temperature range, use ..... - 40° C to + 70° C**

**Power consumption..... Max 25W**

# Monitor – NMM-2



## Monitor display:

